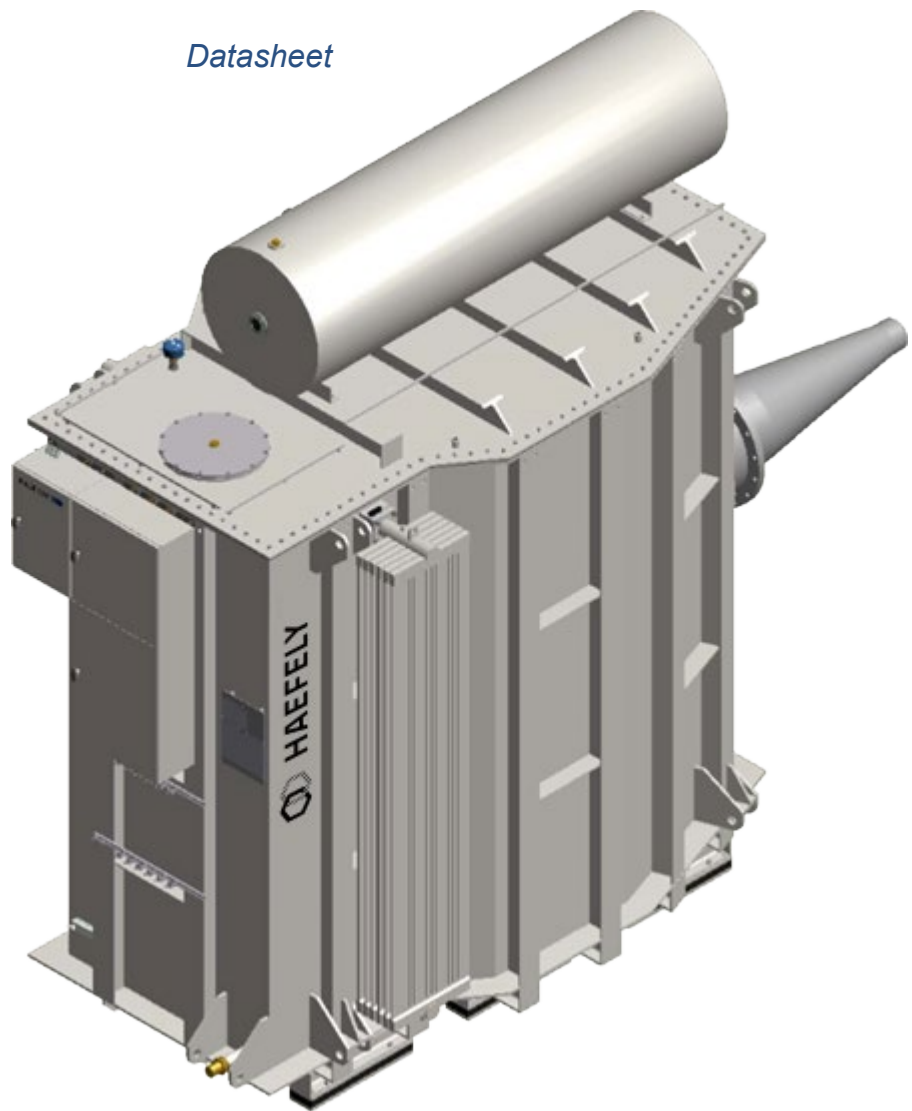


# PSK

AC Transformers, Tank Type  
200 kV – 1'000 kV

*Datasheet*



**HAEFELY**

Current and voltage – our passion

# General Description

Conventional AC test transformers are especially designed for testing objects of medium capacitance in the factory, indoor or outdoor. These systems are particularly suited for tests requiring stable voltage even if the load changes under voltage (heavy corona, wet & pollution tests) or when the load is of inductive kind (inductive voltage transformers). The system duty cycle can be freely chosen and is insured by adding radiators or forced oil-cooling to the transformers. These systems are also suited for continuous duty, long duration tests.

The neutral end of the high-voltage winding is brought out insulated. The high-voltage end is

brought out through the transformer bushing. Either an oil-air or oil-SF6 bushing can be used depending of the application. The bushing is chosen according to the ambient conditions and is capacitively graded for the upper voltages. Upon request, the bushing can be fitted with a measurement tap. An aluminium top electrode is placed on the bushing to allow a PD free operation up the rated voltage. An angle with a multi-contact plug allows to connect mechanically and electrically a high voltage connection.

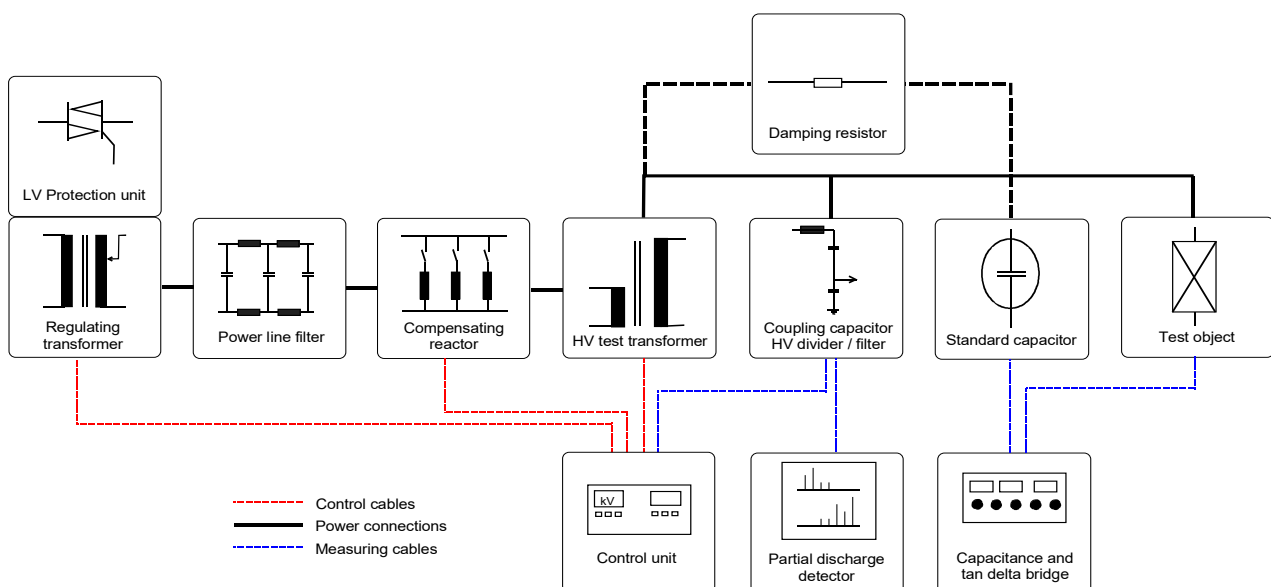
Transformer specifically designed for all outdoor weather conditions are available.

## Features

- Versatile voltage range
- Acoustic Noise Level < 65 dBA
- Sophisticated protections
- External Oil Expansion vessel with Buchholz or DGPT2 relays possible

## Advantages

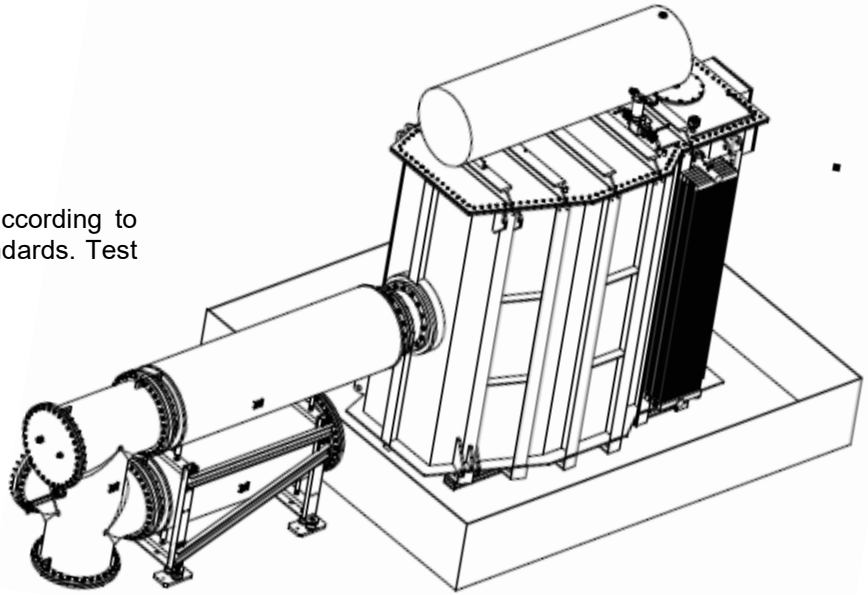
- ✓ Suits different applications
- ✓ Silent
- ✓ DUT and personnel are safe
- ✓ Transformer is protected



# Applications

Applications covered include testing according to IEC, ANSI / IEEE & other national standards. Test objects covered are:

- Power transformers
- Instrument transformers
- Insulators
- Bushings
- GIS



## Components of AC Test system

- Regulating transformer
- Power line filter
- Compensating reactor
- Test transformer
- Coupling capacitor
- Control system
- HV and grounding connections between HV elements.
- Connection to test object usually not included.

## Accessories and Options

- HV filter inductance for coupling capacitor
- Damping resistance
- Low voltage protection unit
- Standard capacitor
- SF6 bushings for GIS Tests
- Partial Discharge detectors
- Capacitance and power loss factor measuring bridges
- Other devices upon request.

## Models and Ratings.

AC test system Type PSK	Regulating transformer Type STL or STO	Compensating reactor Type KDL	Coupling capacitor Type TK or KKF	Dimensions L x W x H	Weight of oil approx.	Total weight net, approx.
kV - kVA	kVA for cont. duty	kVA for cont. duty	kV - nF	m	kg	kg
PSK 200-300	STL 100	KDL 400	KK 300-1	1.1 x 1.4 x 2.9	600	1'600
PSK 400-1600	STL 500	KDL 2100	KK 400-1	1.8 x 1.6 x 3.9	1'600	4'100
PSK 500-500	STL 150	KDL 750	KK 500	2.1 x 4.1 x 3.4	14'000	30'000
PSK 650-650	STL 250	KDL 1200	KK 700	2.1 x 4.2 x 3.5	14'000	30'000
PSK 900-900	STL 300	KDL 1200	KK 900-1	12.0 x 2.4 x 6.0	19'000	35'000

Usual system duty cycle is 1 Hour ON, 1 Hours OFF, 2 times per day.

**Other Voltages and Currents are possible. Please ask Haefely Sales**

## Global Presence

### Europe

HAEFELY AG  
Birsstrasse 300  
4052 Basel  
Switzerland

☎ + 41 61 373 4111  
✉ [sales@haefely.com](mailto:sales@haefely.com)

### China

HAEFELY AG Representative Office  
8-1-602, Fortune Street, No. 67  
Chaoyang Road, Beijing 100025  
China

☎ + 86 10 8578 8099  
✉ [sales@haefely.com.cn](mailto:sales@haefely.com.cn)

This document has been drawn up with the utmost care. We cannot, however, guarantee that it is entirely complete, correct or up to date.  
©Copyright HAEFELY/ Subject to change without notice

V2020.03