

RI 4184

RI 4185

Dual/Single USB 2.0 480 Mbps feedthru filter

Panel mountable USB 2.0
480 Mbps feedthru filter

OVERVIEW

The Ranatec RI 4184 and RI 4185 are high performance feedthru filter for all types of applications where USB signals need to be fed through a shielded wall. It has got very good filter suppression performance over all mobile frequency bands.

APPLICATION

Primarily designed to fit in Ranatec's RI 180 series shield boxes, but can be used separately.

ELECTRICAL INTERFACES

The physical connectors are located at each end. The filters are reciprocal, which means that the USB host can be attached to any of the connectors. RI 4184 can supply two USB devices with up to 900 mA each, and RI 4185 can supply one USB device with up to 900 mA.

MECHANICAL INTERFACES

RI 4184 and RI 4185 is prepared for panel mounting with two threaded M3 screwholes on the front. It is delivered with an EMC shielding gasket for simple and reliable mounting.

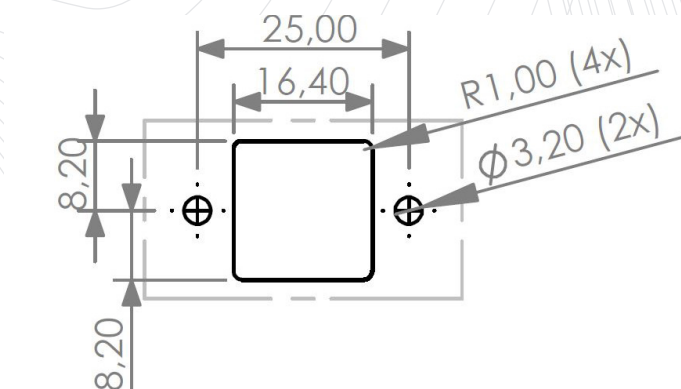


FEATURES

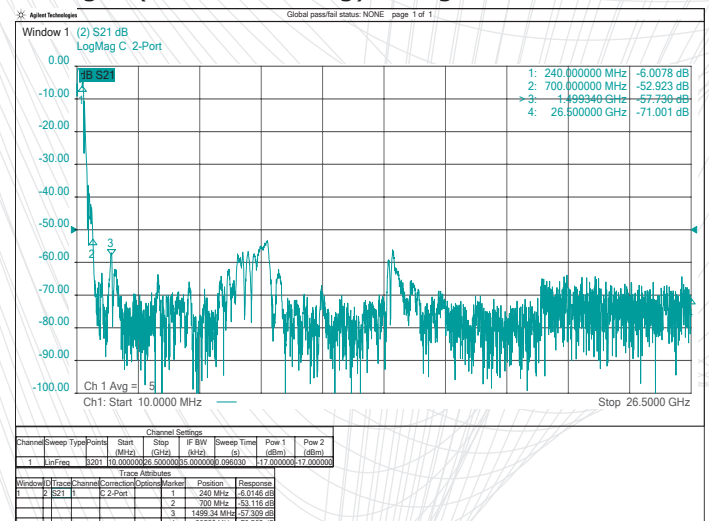
- USB 2.0 Hi-Speed 480 Mbps filters
- Fully USB 2.0 Hi-Speed 480 Mbps compatible
- Filtered USB device power feedthru, 900 mA
- 50 dB filter suppression, 0.5-26.5 GHz
- Panel mountable

SPECIFICATION

- Attenuation 0.5 - 26.5 GHz >50 dB typical
- USB device current feedthru 900 mA max per channel
- Connectors front (RI 4184) Double USB Form A, Rectangle (F)
- Connectors front (RI 4185) Single USB Form A, Rectangle (F)
- Connectors back (RI 4184) Double USB Form A, Rectangle (F)
- Connectors back (RI 4185) Single USB Form A, Rectangle (F)
- Material Aluminium
- Dimensions (WxDxH) 36x71x22 mm
- Weight (standard config) 90 g



Panel cut-out recommendation (mm)



Typical filter suppression

ORDERING

- RI 4184 Dual USB 2.0 480 Mbps Feedthru Filter
- RI 4185 Single USB 2.0 480 Mbps Feedthru Filter