

TELEPHONE LINE VOICE/ANALOG POTS FILTERS

ETS-Lindgren's LTC Series of filters are ideal for applications including communication lines entering or leaving shielded rooms, computer rooms, communication terminal rooms, and Sensitive Compartmental Information Facilities (SCIF).



ETS-Lindgren's LTC Series of filters are ideal for applications including communication lines entering or leaving shielded rooms, computer rooms, communication terminal rooms, and Sensitive Compartmental Information Facilities (SCIF).

The LTC-X640 series filters have multiple circuits to handle 2, 4, 6, 8, 10 or 12 wires, and are designed for stand-alone, individual mounting. The LTC-X640 series filters may be supplied with an optional threaded conduit pipe for penetration of a shielded enclosure.

Key Features

- For 2 to 12 Line LTC Filters
- Signal, Sensor & Voice Communication
- Data Communication
- Control Line

Specifications

Electrical Specifications

Passband Impedance	Stopband Insertion Loss	Maximum Current	Maximum Voltage
600 (L-L), 300 (L-G)	100 dB Minimum @ 14 kHz to 18 GHz	0.5	125

NOTE: For Installation on shield, filters can be ordered with penetration kit. Add "/PEN" to model numbers

Physical Specifications

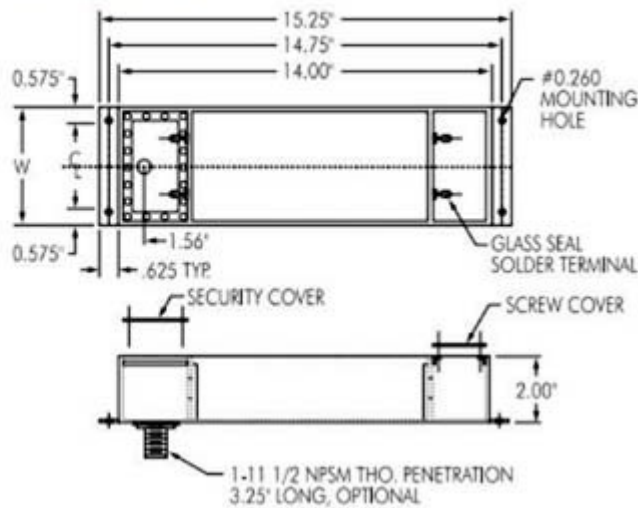
Model	Number of Lines	Width
LTC-2640-600Z	2	7.62 cm (3.0 in)
LTC-4640-600Z	4	15.24 cm (6.0 in)
LTC-6640-600Z	6	30.48 cm (12 in)
LTC-8640-600Z	8	30.48 cm (12 in)
LTC-10640-600Z	10	45.72 cm (18 in)
LTC-12640-600Z	12	45.72 cm (18 in)

NOTE: For Installation on shield, filters can be ordered with penetration kit. Add "/PEN" to model numbers

Product Charts

**LTC-X640
Signal/Communication
Line Filter
Case Dimensions**

**LTC-X640* Signal/Communication Line Filter
Case Dimensions**



**LTC-2650
Signal/Communication
Line Filter
Case Dimensions**

**LTC-2650* Signal/Communication Line Filter
Case Dimensions**

