

CURRENT PROBES 94111-1 Current Probe

ETS-Lindgren's Model 94111-1 Current Probe is a diagnostic tool for cable common mode current sources of radiated emissions and as measurement of cable common mode coupled currents during radiated susceptibility testing.



ETS-Lindgren's Model 94111-1 Current Probe is capable of making bulk current injection measurements up to 1 GHz. The 94111-1 is a RF sniffer probe for cable common mode current sources of radiated emissions and as measurement of cable common mode coupled currents during radiated susceptibility testing.

The 3.18 cm (1.25 in) window makes the 94111 series probes suitable for measurements on most power cables (AWG 4/0 cable, good for several hundred amps, is 12.7 mm (0.5 in) diameter, exclusive of insulation). Probe saturation current is compatible with the current carrying capacity of wires placed in its window.

Key Features

- For Standards Testing and Pre-compliance Applications
- Measures RF Current Without Direct Connection

Specifications

Electrical Specifications

- Frequency Minimum: 1 MHz
Frequency Maximum: 1000 MHz
Load Impedance: 50 +/- j0
Maximum Primary Current Amps:
- 400 Hz: 200
 - DC-60 Hz: 200
 - Pulse: 50
 - RF(CW): 20

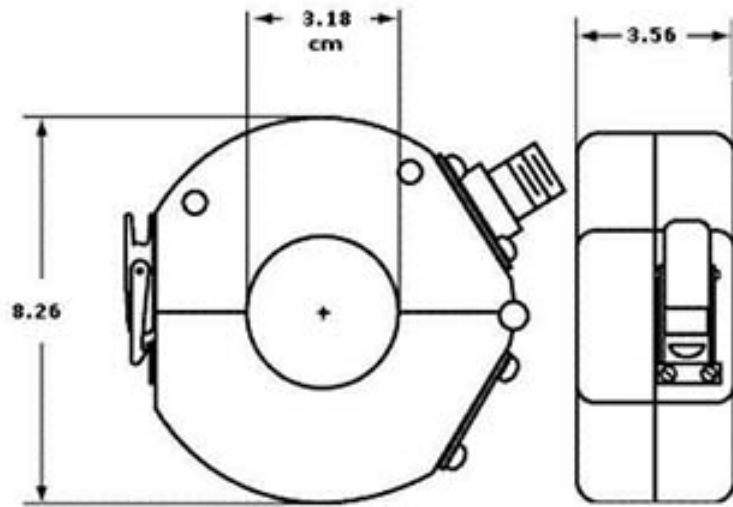
Transfer Impedance: 1 to 10 Ω

Physical Specifications

- Outside Diameter: 8.26 cm (3.25 in)
Window Diameter: 3.18 cm (1.25 in)
Width: 3.56 cm (1.40 in)
Weight: 0.43 kg (0.95 lb)

Product Charts

94111-1 Current Probe Diagram



*All measurements are in centimeters

Typical Current Probe Transfer Impedance

